

BABY ANGEL
Girl's Cropped Cardigan



To Fit Size: 12-18 months, (2-4, 6-8) years
Approximate Finished Chest: 20", (22, 24)
Length: 10 ¾", (11, 11 ½)

Materials:

Baby Angel: 1, (1, 2)—100g balls, color 418

Gauge: 22 sts, 30 rows = 4" over st st on US Size 6 (4mm).

Needles/Notions: US Size 6 (4mm)- 24" circular

Needle and DPNs, crochet hook for provisional CO, 4 st markers (m), 2 st holders, 1 button, scrap yarn, 1—18mm button.

The cardigan is worked from the neck down seamlessly. Pattern is written for smallest size, with larger sizes in parenthesis. If only one number is given, it applies to all sizes.

Top Neck

With scrap yarn and crochet hook, provisional CO 44, (42, 38) sts. Switch to circular knitting needle.

Setup Row (WS): P2, pm, p10, (8, 6), pm, p20, (22, 22), pm, p10, (8, 6), pm, p2.

Begin pattern stitch:

Row 1 (RS): *K to 1 st before m, m1, k1, sl m, m1; rep from * 3 times more, k to end of row—8 sts inc'd. 52, (50, 46) sts.

Row 2: P across all sts, sl m as you get to them.

Row 3: K1, m1, *K to 1 st before m, m1, k1, sl m, m1; rep from * 3 times more, k to last st, m1, k1—10 sts inc'd. 62, (60, 56) sts.

Row 4: P to 2nd m, sl m, k1, *k2tog, yo; rep from * to 1 st before next marker, k1, sl m, p to end of row.

Rep these last 4 rows 7, (8, 9) times more—126, (144, 162) sts inc'd. 188, (204, 218) sts on needle.

Next Row (RS): K to m, (sl m, m1, k to 1 st before m, m1, k1)3x, sl m, k to end of row—6 sts inc'd. 194, (210, 224) sts on needle. 54, (60, 64) sts for back, 44, (46, 48) sts for each sleeve, 26, (29, 32) sts for each front.

Next Row: P across all sts, sl m as you get to them.

Divide fronts and back from sleeves

Next Row (RS): (remove m when you get to them)

(K to m, sl the next 44, (46, 48) sts onto a holder, remove next m)2x. 106, (118, 128) sts on needle. The sleeve sts are now on holders.

Back and Front

ABBREVIATIONS: beg= begin(ning), BO= bind off, CO= cast on, cont= continue, dec= decrease, DPNs double pointed needles, inc= increase, kf&b= knit into the front and back of stitch, m1- make one (increase), m= marker, pm= place marker, p= purl, pssso= pass slipped stitch over, rem= remain(ning), rep= repeat, rnd=round, RS= right side, sl= slip, st(s)= stitch(es), st st= stockinette st, tog= together, WS= wrong side, yo= yarn over

Work in st st on rem 106, (118, 128) sts until piece measures 4 ¼", (4 ¾, 4 ¾) from body division, end having worked a k row.

Next Row (WS): K across row, dec 1 st across. 105, (117, 128) sts on needle.

Work in 1x1 rib for 1". BO in rib on next row.

Sleeves

With RS facing, sl the 44, (46, 48) sts from one holder onto DPNs. Join in the rnd and pm, marking the underarm as the beg of the rnd.

Dec Rnd: P14, (15, 16), (P2tog)8x, P14, (15, 16)—8 sts dec'd. 36, (38, 40) sts on needles. Work 4 rnds in 1x1 rib. BO all sts on next rnd in rib. Rep for the other sleeve.

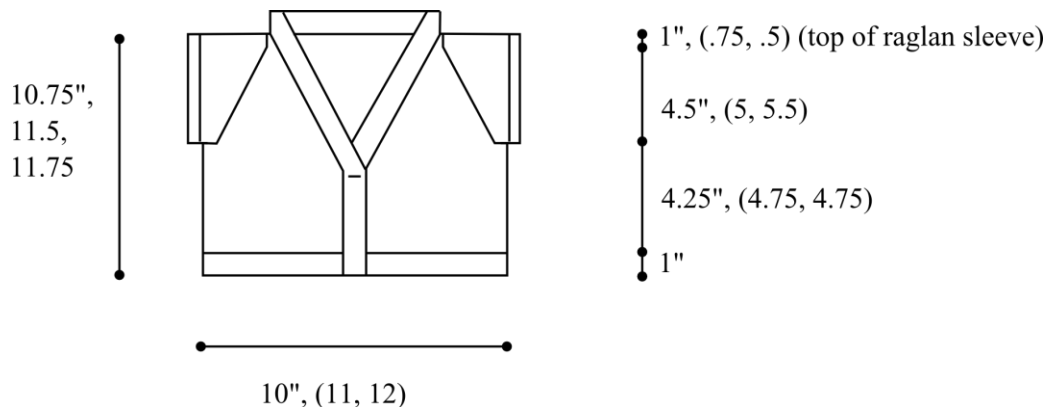
Finishing

Front Band: With RS facing and circular needle, pick up and k29, (32, 32) sts along the right front to the beg of neck shaping, pm, 25, (28, 31) sts along the neck shaping to neck CO, remove the provisional scrap yarn and k across the 44, (42, 38) sts, pick up and k 25, (28, 31) sts along the left front to end of neck shaping, pick up and k29, (32, 32) sts along the left front to BO edge. 152, (162, 164) sts. K 1 row. Then work 2 rows in 1x1 rib.

Buttonhole Rnd (RS): Rib to 2 sts before m, BO 2 sts, rib to end of row. On next row, CO 2 sts over BO sts, rib to end of row. Work 2 more rows in rib and BO in rib on next row. Sew button onto the front. Weave in all ends.

©2014 Plymouth Yarn Company.

010515vle Designed by Vanessa Ewing.



ABBREVIATIONS: beg= begin(ning), BO= bind off, CO= cast on, cont= continue, dec= decrease, DPNs double pointed needles, inc= increase, kf&b= knit into the front and back of stitch, m1- make one (increase), m= marker, pm= place marker, p= purl, pssso= pass slipped stitch over, rem= remain(ning), rep= repeat, rnd=round, RS= right side, sl= slip, st(s) = stitch(es), st st = stockinette st, tog = together, WS= wrong side, yo= yarn over