

KNITCOL
Seamless Baby Cardigan



To Fit Size: 0-3, (6-12, 18-24) months
Approximate Finished Chest Measurement:
20", (22, 24)
Length: 10 ½", (11, 12)
Sleeve Length: 5 ½", (6, 7 ½)

Materials:

Knitcol: 3, (3, 4)—50G balls, color 61
Gauge: 22 sts, 30 rows= 4" in st st on US Size 6 (4mm) knitting needles.
Needles/Notions: US Size 3 (3.25mm) and 6 (4mm) 24" circular needle and DPNs, 4 st markers (m), 4 st holders, 5 buttons from Dill #265125- 20mm.

Pattern is written for smallest size, with larger sizes in parenthesis. If only one number is given, it applies to all sizes.

Cardigan is worked from the bottom up in one piece. The sleeves are worked separately in the round. The sleeves are then joined to the body and worked altogether to make the yoke.

Body

With smaller circular needle, CO 107, (116, 127) sts.
Work in garter st (k every row) for 1 ¼", Switch to larger circular needle. Beg working in st st. When body measures 6", (6, 6 ½) from CO edge, end having worked a RS Row.

Divide fronts from back

Next Row (WS): P24, (27, 30) sts (left front), BO 2 sts, p55, (58, 63) sts (back), BO 2 sts, p24, (27, 30) sts (right front). 24, (27, 30) sts for each front, 55, (58, 63) sts for the back. Place all sts on a

holder and set aside.

Sleeve

With smaller DPNs, CO 32, (34, 36) sts. Join in the rnd and pm. Work in garter st in the rnd (k1 rnd, p 1 rnd) for 1 ¼". Switch to larger DPN. Beg working in stst (k every rnd), When sleeve measures 1 ¾", inc 1 st before and after the m on next and following 4th, (4th, 6th) rnd 6 times total. 44, (46, 48) sts.

Work even until sleeve measures 5 ½", (6, 7 ½) from CO edge, ending 1 st before beg of rnd m.

Next Rnd: (remove m) BO 2 sts, k to end of rnd.

ABBREVIATIONS: beg= begin(ning), BO= bind off, CO= cast on, cont= continue, dec= decrease, DPN= double pointed needle, m= marker, patt= pattern, pm= place marker, p = purl, rem= remain(ning), rep= repeat, rnd=round, RS= right side, sl = slip, SSK = slip 1 st as if to knit, slip a second st as if to knit, knit them together through the back loop, st(s) = stitch(es), st st = stockinette st, tog = together, WS= Wrong Side

42, (44, 46) sts. Set sleeve aside and make another sleeve.

Yoke

(When working this section, you may find it difficult for the first couple rows to work across the sleeve sts since the underarm BO is very small. We have found that if you prefer to, try using the DPNs for each section instead of the circular.)

With all RS facing and larger circular needle,

K21, (24, 27) sts, k2tog, k1 from right front, pm,

K1, ssk, k36, (38, 40) sts, k2tog, k1 from one sleeve, pm, K1, ssk, k49, (52, 57) sts, k2tog, k1 from back, pm, K1, ssk, k36, (38, 40) sts, k2tog, k1 from one sleeve, pm, K1, ssk, k21, (24, 27) sts from left front.

(8 sts dec'd.) 179, (192, 207) sts.

(Read through entire section before proceeding—you will be shaping the front neck as well as the raglan seams at the same time.)

Row 2 (WS): P all sts.

Dec Row (RS): *K to 3 sts before m, k2tog, k1, sl m, ssk; rep from * 3 times more, k to end of row—8 sts dec'd. 171, (184, 199) sts.

Cont to work the dec every RS Row 16, (17, 18) times more, while working every other WS Row in k to create a ridge—128, (136, 144) sts dec'd.

At the same time dec 1 st at each neck edge on next and following 4th row 4, (5, 6) times.

35, (38, 43) sts remain when all shaping is complete-

2, (3, 4) sts for each front, 19, (20, 23) sts for the back,

6, (6, 6) sts for each sleeve.

Place sts onto a holder.



Front Band

With RS facing and smaller circular needle, pick up and

k35, (35, 40) sts along the right front to neck shaping,

pick up and k 25, (28, 30) sts along the neck shaping to

sts on holder, k39, (38, 43) sts from holder—inc 4, (3, 4)

sts evenly across, pick up and k25, (28, 30) sts along the

left neck shaping, pick up and k35, (35, 40) sts along the

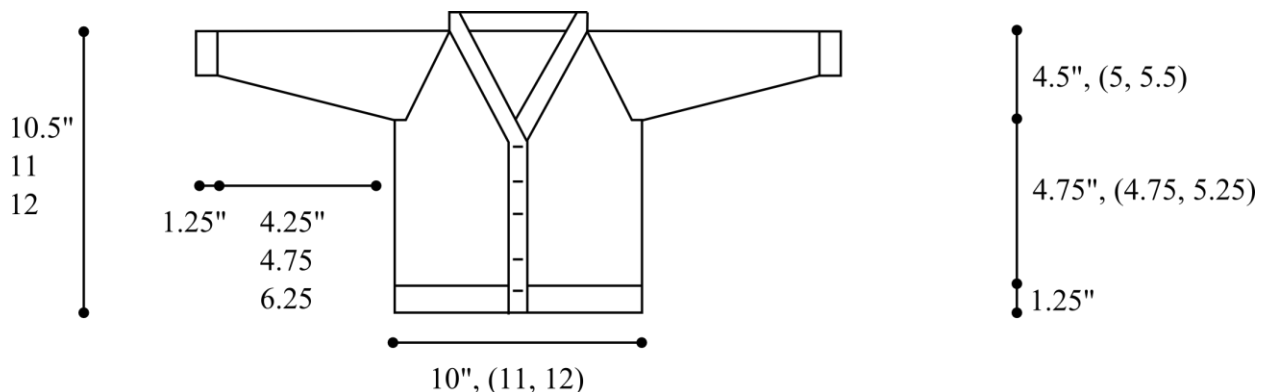
left front to CO edge. 163, (167, 187) sts.

Working in garter st, work 6 rows.

Buttonhole Row (for a boy) (WS): *K5, (5, 6) sts, yo, k2tog; rep from * 4 times more, k to end of row.

Buttonhole Row (for a girl) (WS): K to last 35, (35, 40) sts, *yo, k2tog, k5, (5, 6) sts; rep from * 4 times more. K6 more rows and then BO all sts in k. Sew 5 buttons onto the front. Sew the underarm seam. Weave in all ends.

©2014 Plymouth Yarn Company. 091914vle. Designed by Vanessa Ewing 012116vle



ABBREVIATIONS: beg= begin(ning), BO= bind off, CO= cast on, cont= continue, dec= decrease, DPN= double pointed needle, , m= marker, patt= pattern, pm= place marker, p = purl, rem= remain(ning), rep= repeat, rnd=round, RS= right side, sl = slip, SSK = slip 1 st as if to knit, slip a second st as if to knit, knit them together through the back loop, st(s) = stitch(es), st st = stockinette st, tog = together, WS= Wrong Side