

DK MERINO SUPERWASH
Baby and Toddler Striped Cardigan



2 rows= white
4 rows= navy
8 rows= orange
2 rows= white
16 rows= orange

To Fit Size:

0-3, (6, 12, 18, 24) months

Approximate Chest Circumference:

22", (24, 24 3/4, 26, 27)

Length: 12", (13, 13 1/2, 14, 14 1/2)

Sleeve Length: 6", (6 1/2, 7 1/2, 8, 8 1/2)

Materials:

DK Merino Superwash:

1, (1, 1, 2, 2)—50G skeins, color
1117 Grey

1, (1, 1, 1, 1)—50G skeins, color
1000 White

1, (1, 2, 2, 2)—50G skeins, color
1107 Orange

1, (1, 1, 1, 2)—50G skeins, color
1111 Navy

Gauge: 22 sts, 32 rows= 4" on size 6
needles, 24 sts, 36 rows= 4" in garter
stitch on size 4 needles.

Needles/Notions: Size US 4 & 6- 24"
circular needle, stitch markers, Stitch
holders, size 4 & 6 double points. 3 buttons

Pattern is written for smallest size, with
larger sizes in parenthesis. If only one
number is given, it applies to all sizes.

Cardigan is worked from the neck down,
seamlessly.

Stripe Sequence

10 rows= grey

10 rows= navy

2 rows= white

4 rows= navy

Neck

(read through entire directions before proceeding)

With smaller circular needle, begin **stripe sequence**. Cast on 56, (60, 66, 70, 74) sts.

Work in garter stitch (knit every row) for 6 rows, do not turn on last row. Switch to larger needles.

Instead, Cast on 6 sts (front button tab).

Next Row (WS): k6 sts, p7, (8, 9, 10, 11) sts (right front), pm, P11, (11, 12, 12, 12) sts (first sleeve), pm, p20, (22, 24, 26, 28) sts (back section), pm, p11, (11, 12, 12, 12) sts (second sleeve), pm,

p7, (8, 9, 10, 11) sts (left front), do not turn, instead cast on 6 sts (front tab). 68, (72, 78, 82, 86) sts.

Increase Row (RS): *k to 1 st before m, kf&b, sl m, kf&b; rep from * 3 times more, k to end of row.

(8 sts increased) --76, (80, 86, 90, 94) sts.

Next Row (WS): k6, *p to 1 st before m, pf&b, sl m, pf&b; rep from * 3 times more, p to last 6 sts,

k6. (8 sts increased) --84, (88, 94, 98, 102) sts.

Repeat these last 2 rows 3, (4, 3, 3, 2) times more. (48, (64, 48, 48, 32) sts increased) - 132, (152, 142, 146, 134) sts.

Increase Row (RS): *k to 1 st before m, kf&b, sl m, kf&b; rep from * 3 times more, k to end of row.

(8 sts increased)

Next Row (WS): k6, p to last 6 sts (slipping markers), k6.

Repeat these last 2 rows 10, (10, 12, 13, 15) times more. (88, (88, 104, 112, 128) sts increased)

220, (240, 246, 258, 262) sts.

At the same time when there are 3 garter ridges on the RS of front tab, work buttonhole row on next WS Row:

Buttonhole Row for a girl (WS): k6, pattern to last 6 sts, k2, yo, k2tog, k2.

Buttonhole Row for a boy (WS): k2, k2tog, yo, k2, pattern to last 6 sts, k6.

Repeat the buttonhole row 2 times more, spacing them 4, (4, 5, 5, 6) garter ridges apart (8, (8, 10, 10, 12) rows).

Divide Body

Row 1 (RS): (remove all markers as you get to them) k32, (35, 36, 38, 39) to m,

place next 49, (53, 54, 56, 56) sts onto a holder for sleeve, cast on 2 sts, K58, (64, 66, 70, 72) to m,

place next 49, (53, 54, 56, 56) sts onto a holder for sleeve, cast on 2 sts, K32, (35, 36, 38, 39) to end of row.

126, (138, 142, 150, 154) sts on needle Work in st st, keeping the first and last 6 sts in garter stitch, until body measures 7 ¼", (8, 8 ¼, 8 ½, 8 ¾) from division, end having worked a RS Row. Switch to smaller circular. Work in garter stitch for 9 rows. Bind off all sts on next row.

Sleeves

(RS facing) Sl the 49, (53, 54, 56, 56) sts from the holder for one sleeve onto larger double points- pick up 2 sts at the underarm. Place a marker at the underarm- in between the picked up sts, for the beginning of the round.

51, (55, 56, 58, 58) sts.

With the appropriate color for the stripe pattern, begin working in st st in the round (knit every round)-

while decreasing 1 st before and after the underarm marker every 3rd, (3rd, 4th, 4th, 4th) round 10, (12, 12, 13, 13)

times. 31, (31, 32, 32, 32) sts. Work even until sleeve measures 5", (5 ½, 6 ½, 7, 7 ½). Switch to garter stitch in the

round (purl one round, knit one round), smaller double points, and work 9 rounds. Bind off all sts on next round.

Repeat for the other sleeve.

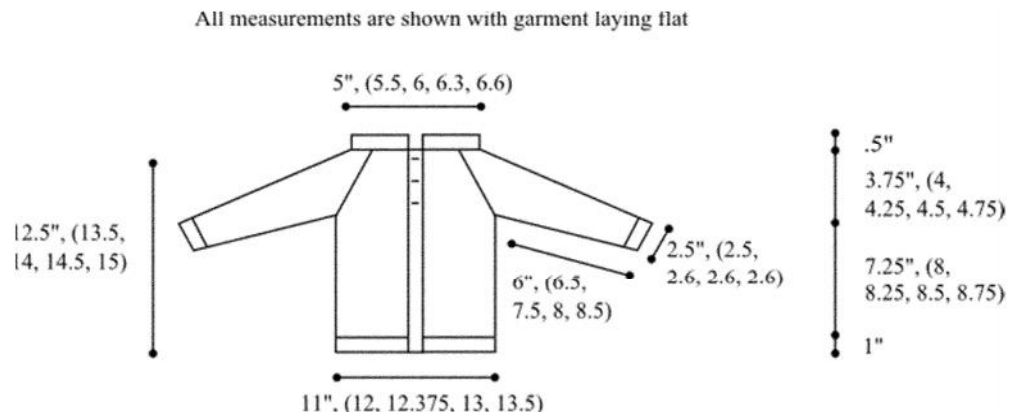
Finishing

Block to measurements. Sew

3 buttons onto the front.

Weave in all ends.

©2013 Plymouth Yarn
 Company. 020513vle



ABBREVIATIONS: dec = decrease, inc = increase, k= knit, kf&b= knit into the front and back of stitch, m= marker, pf&b= purl into the front and back of stitch, p= purl, pm= place marker, RS= right side, sl = slip, st(s) = stitch(es), st st= stockinet stitch, tbl = through back loop, tog = together, WS = Wrong Side, yo = yarn over, wyif = with yarn in front, wyib = with yarn in back